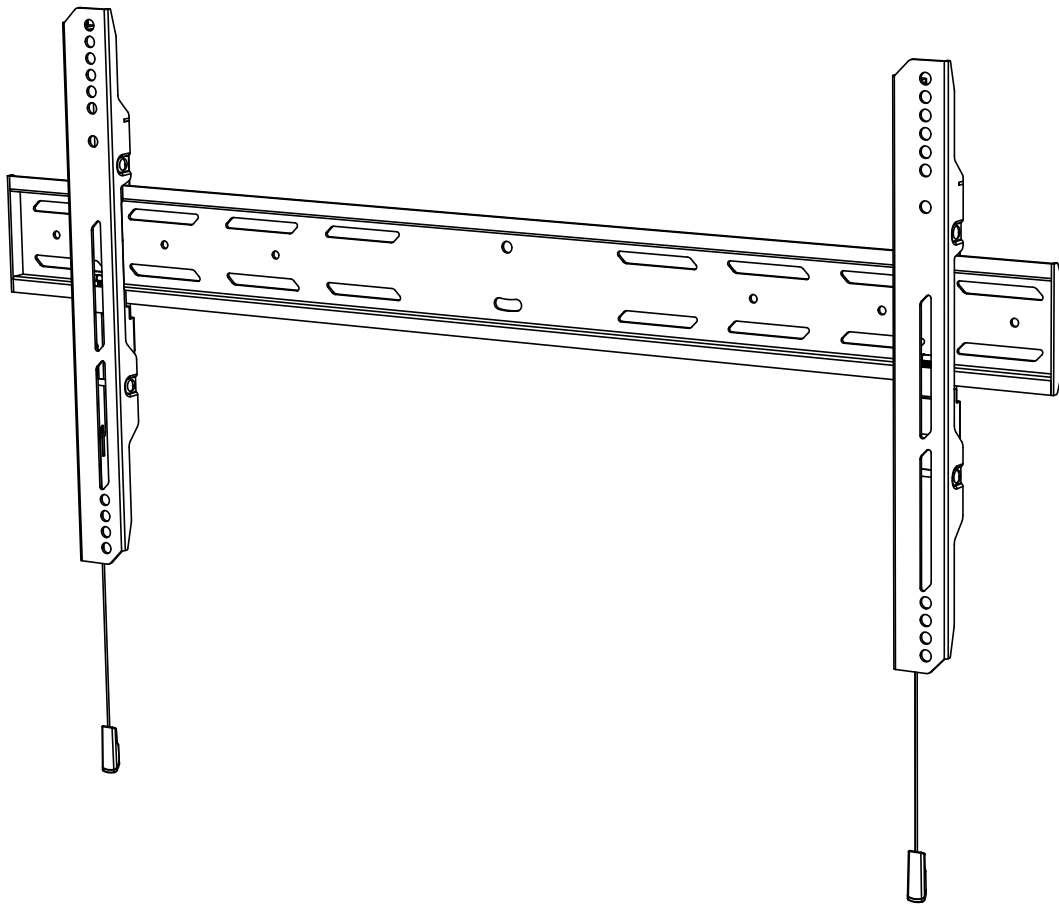




HDF800 Heavy Duty Fixed TV Bracket Installation Guide



**MAX
VESA**
800 x 400



40" - 90"

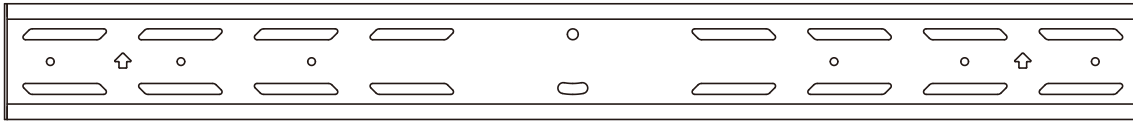



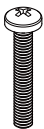



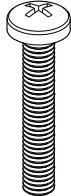
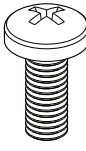
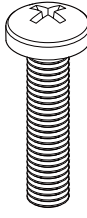
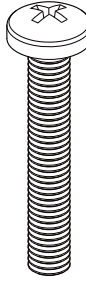
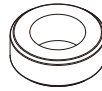


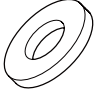

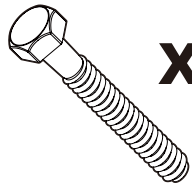
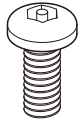
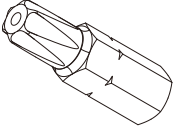
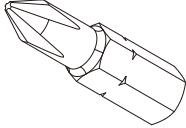
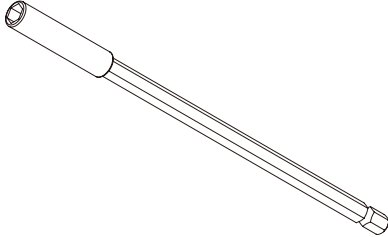
90kg

**DISTANCE
TO WALL**

35mm

Supplied Parts and Hardware


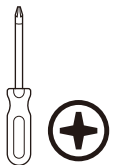





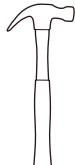



- 
x4
 A: M4x16mm
- 
x4
 B: M4x25mm
- 
x4
 C: M5x16mm
- 
x4
 D: M5x25mm
- 
x4
 E: M6x16mm
- 
x4
 F: M6x25mm
- 
x4
 G: M8x20mm
- 
x4
 H: M8x35mm
- 
x4
 I: M8x50mm
- 
x8
 J: 5mm
- 
x4
 K: 14mm
- 
x4
 L: M4/M5/M6
- 
x4
 M: M8
- 
x6
 N: Concrete Anchor
- 
x6
 O: M8x50mm
- 
x2
 P: M5x12mm
- 
 M5 Security Torx
- 
 Phillips
- 

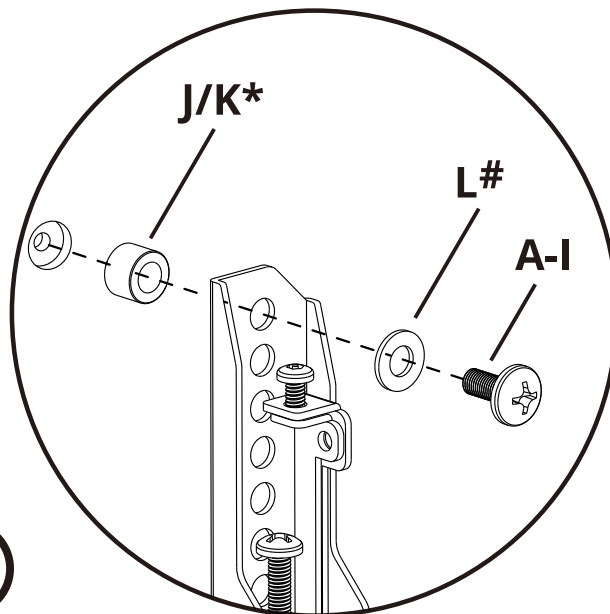
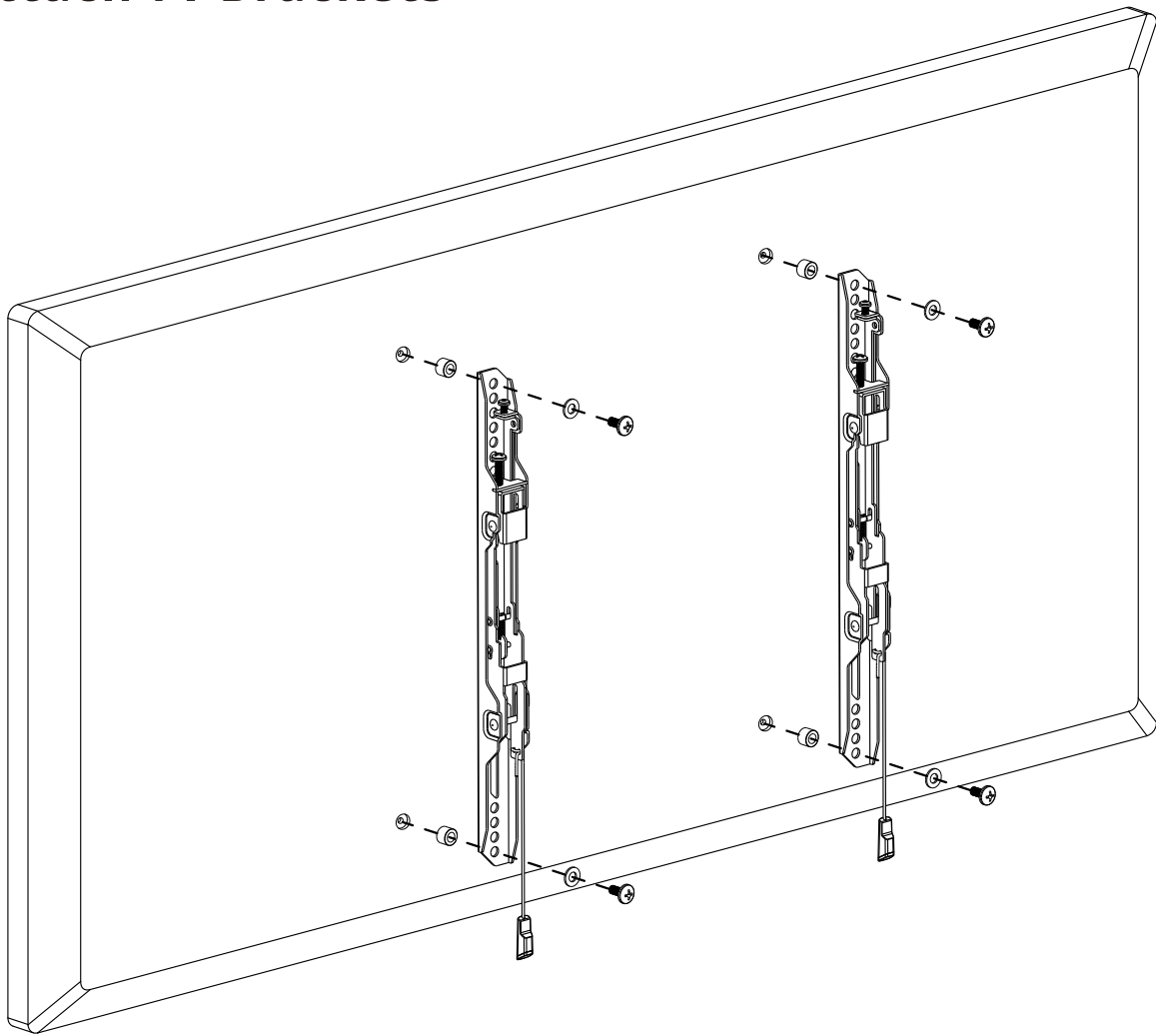
Required Tools

Wood stud wall

Concrete wall

- | | | | | | | | | |
|-------------------------------------------------------------------------------------|-------------------------------------------------------------------------------------|-------------------------------------------------------------------------------------|-------------------------------------------------------------------------------------|-------------------------------------------------------------------------------------|-------------------------------------------------------------------------------------|-------------------------------------------------------------------------------------|---------------------------------------------------------------------------------------|---------------------------------------------------------------------------------------|
|  |  |  |  |  |  |  |  |  |
| Socket Set | Phillips Screwdriver | Pencil | Level | Drill | Stud Finder | 7/32"
5.5mm
Wood Bit | Hammer | 3/8"
10mm
Masonry Bit |

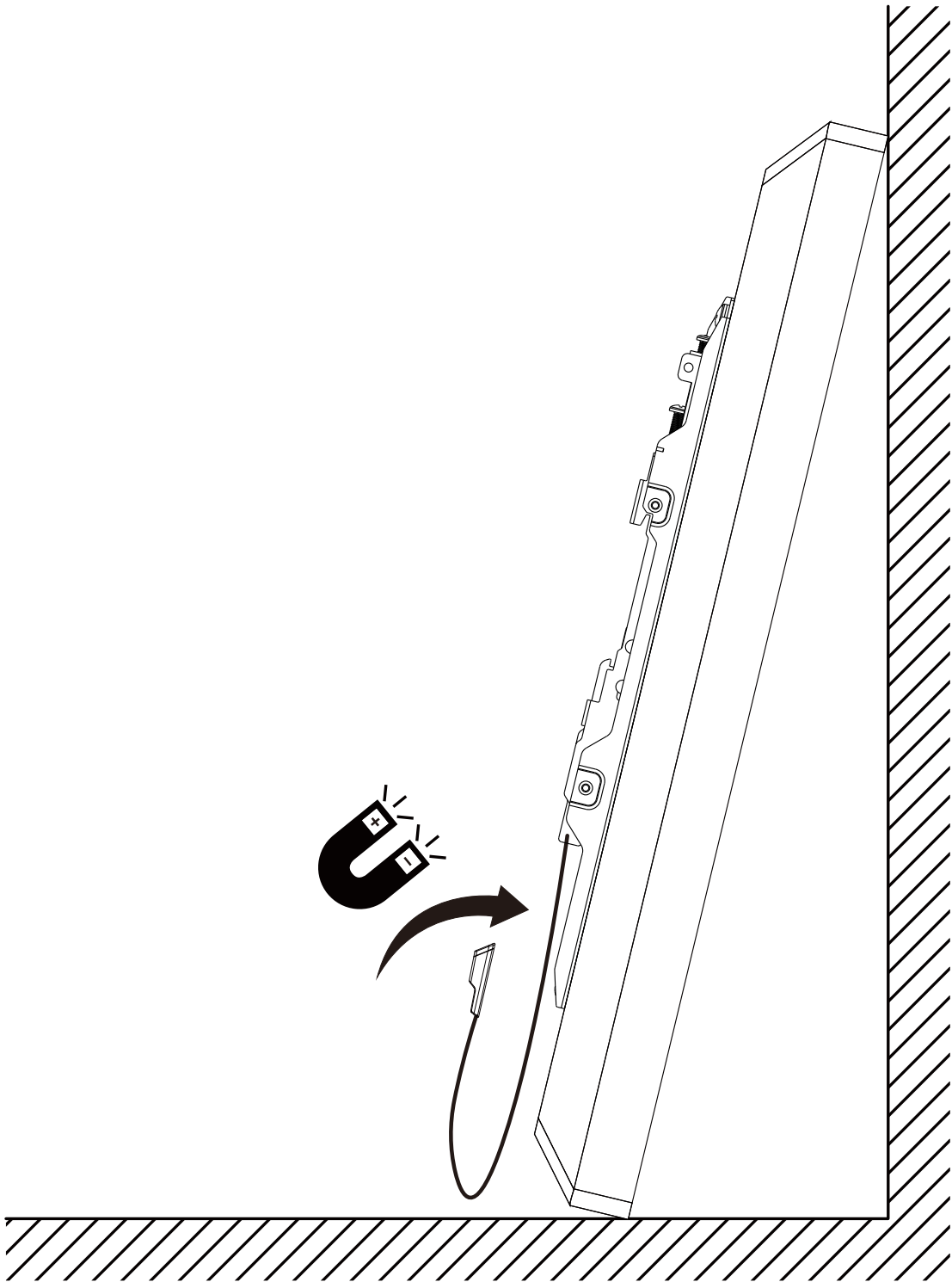
1.Attach TV Brackets



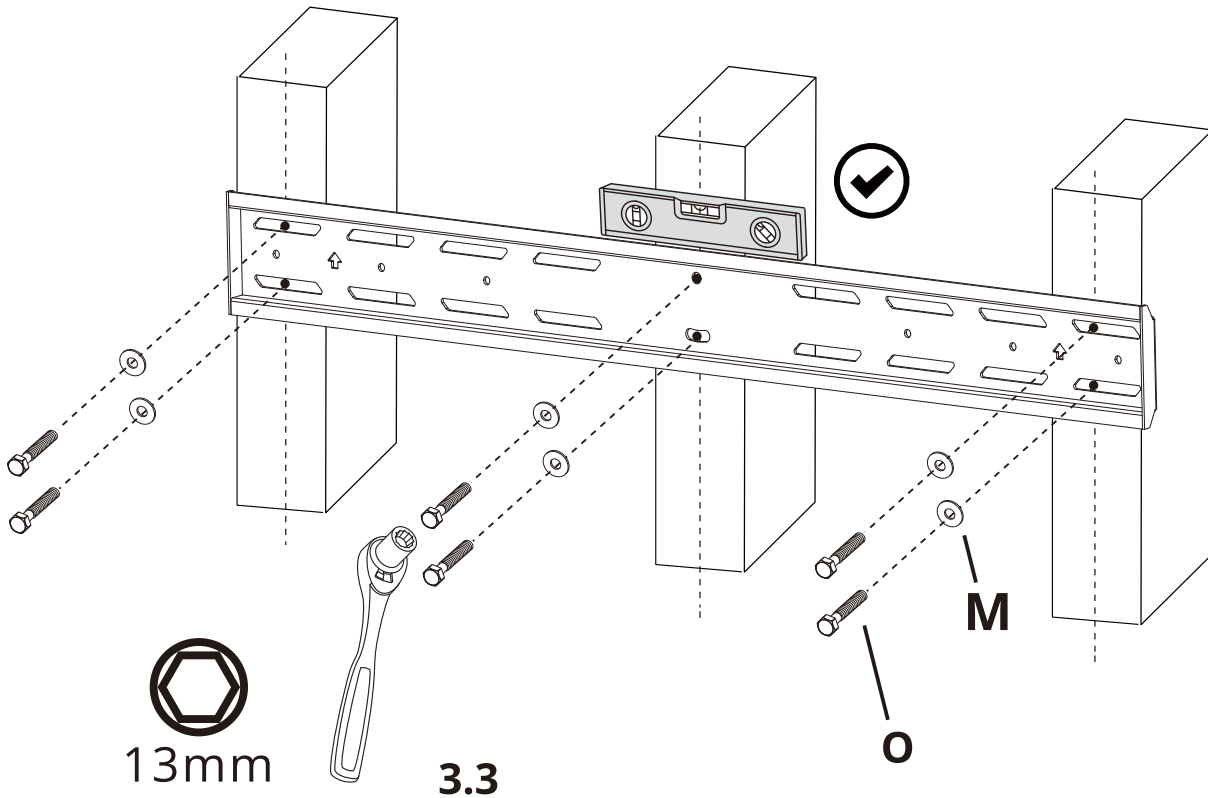
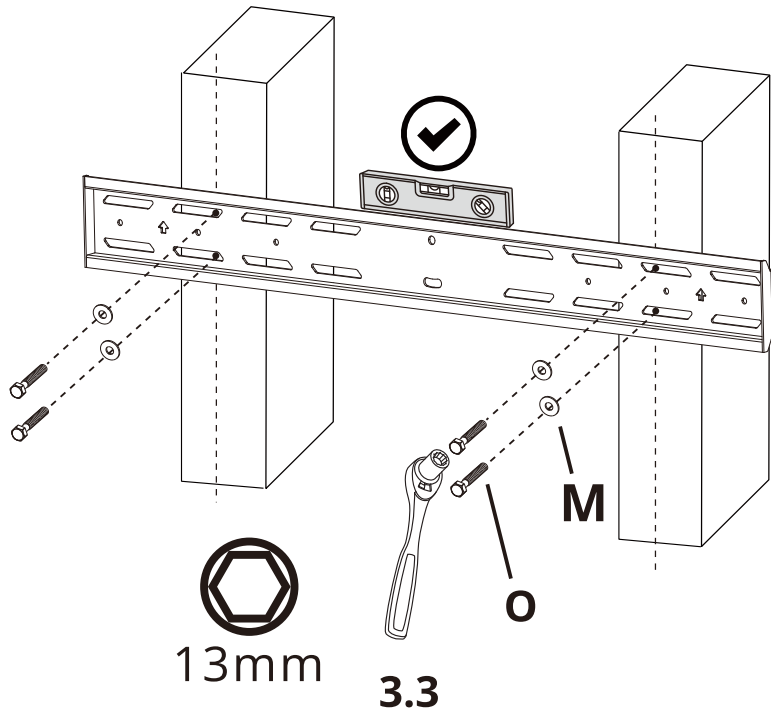
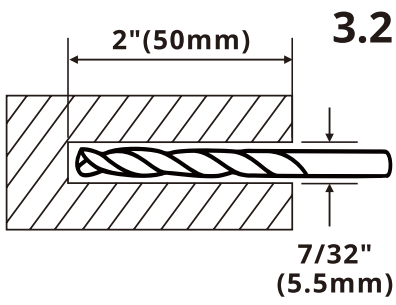
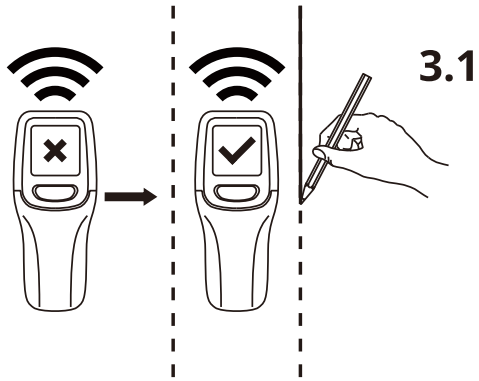
Only applicable if using M4/M5/M6

*Optional

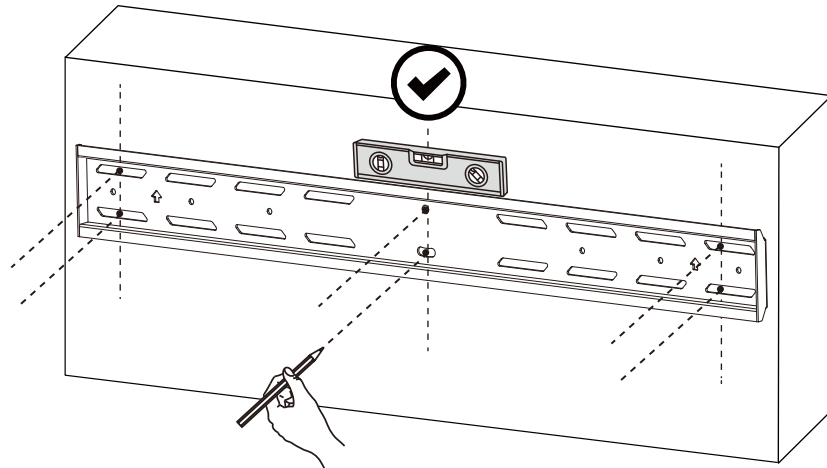
2. Draw strings with magnet



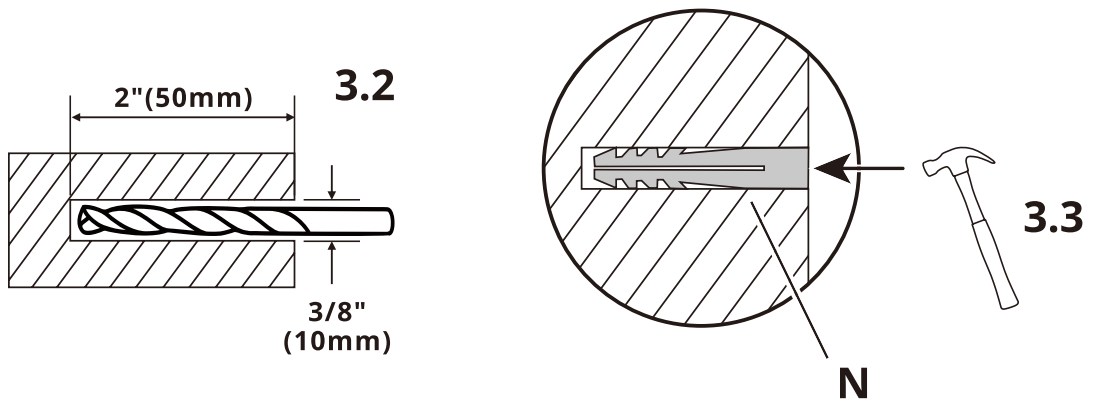
3a. Mount Wall Plate(Wood Stud Wall)



3b. Mount Wall Plate(Concrete Wall)



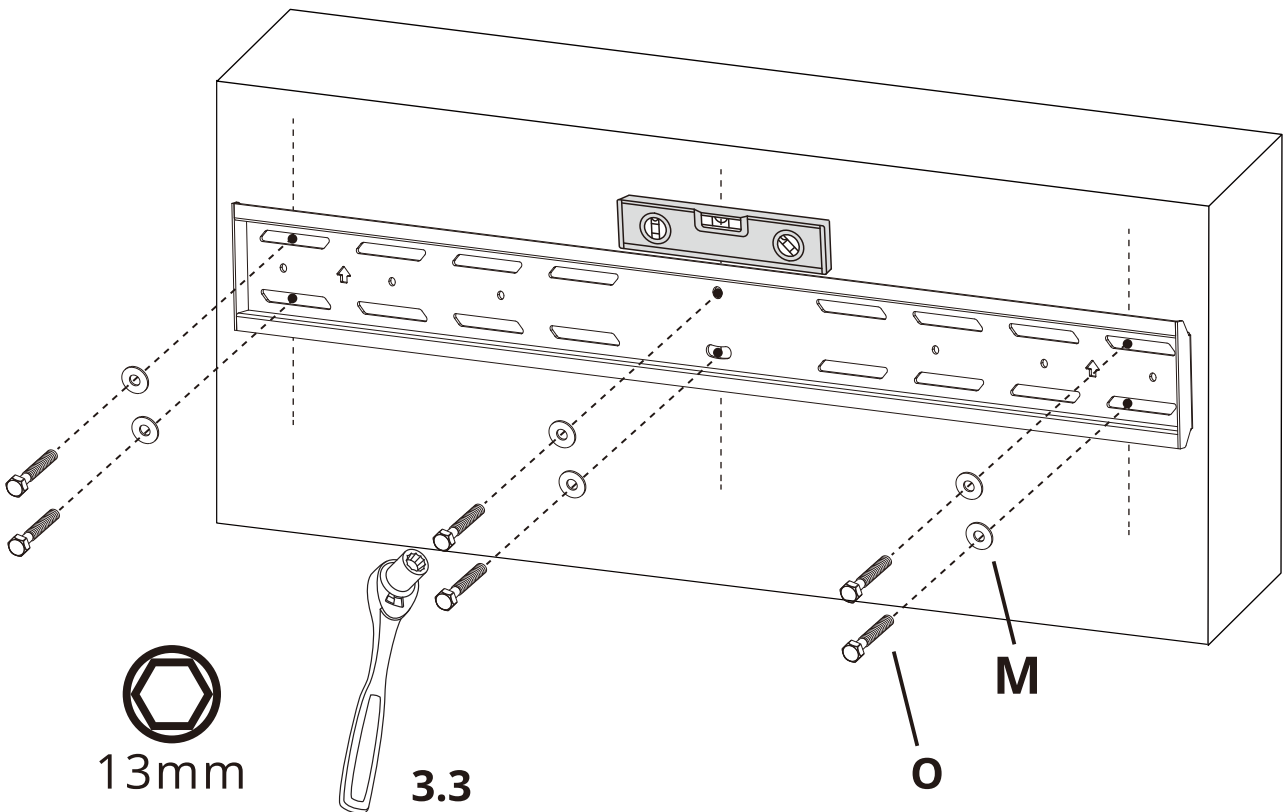
3.1



3.2

3.3

N



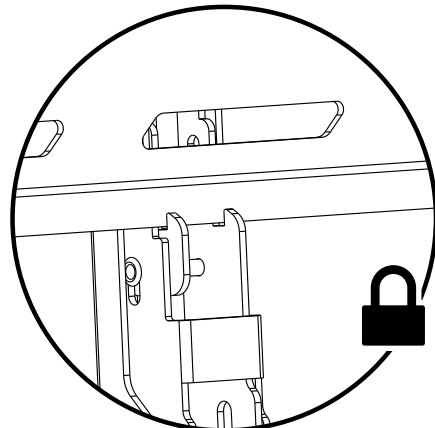
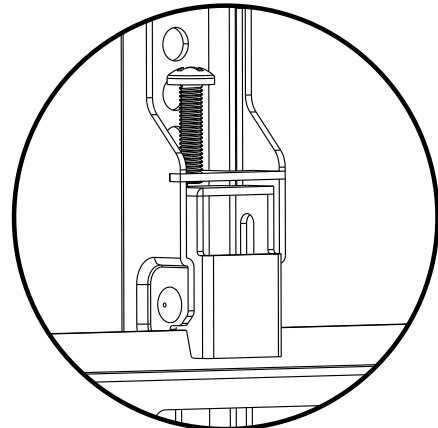
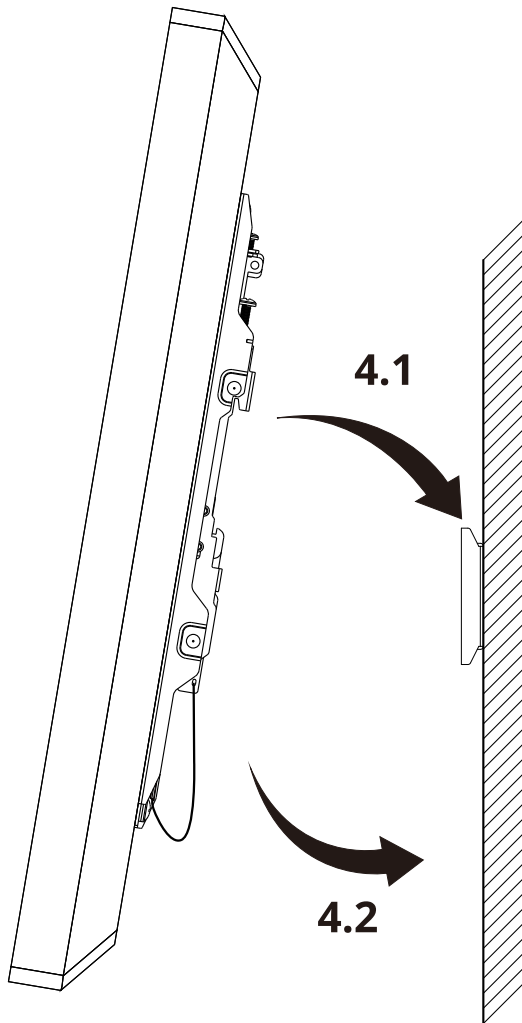
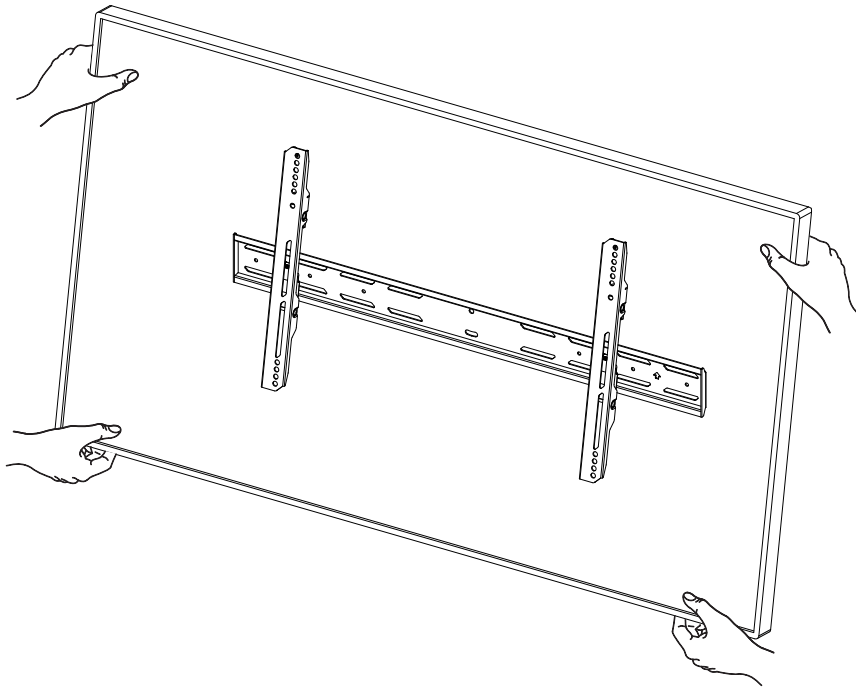
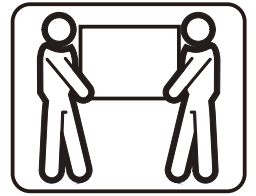
13mm

3.3

O

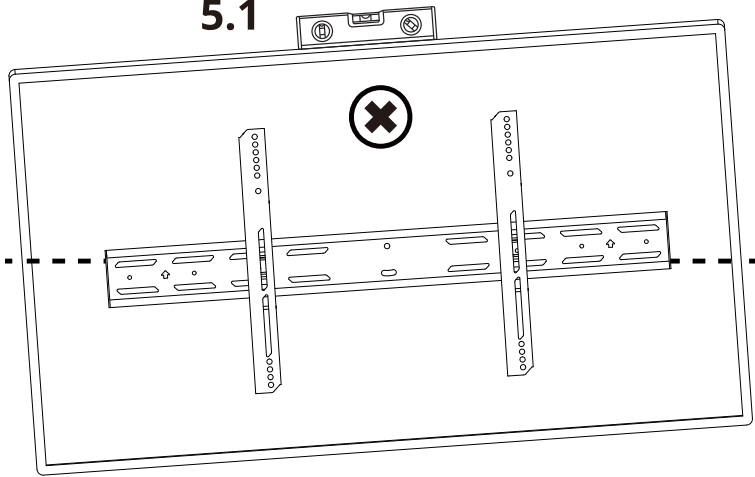
M

4. Hang TV

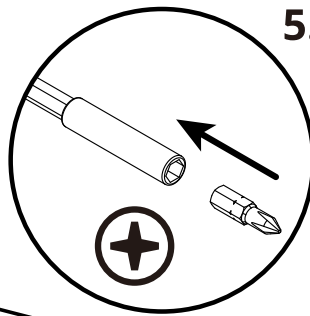


5.Level TV

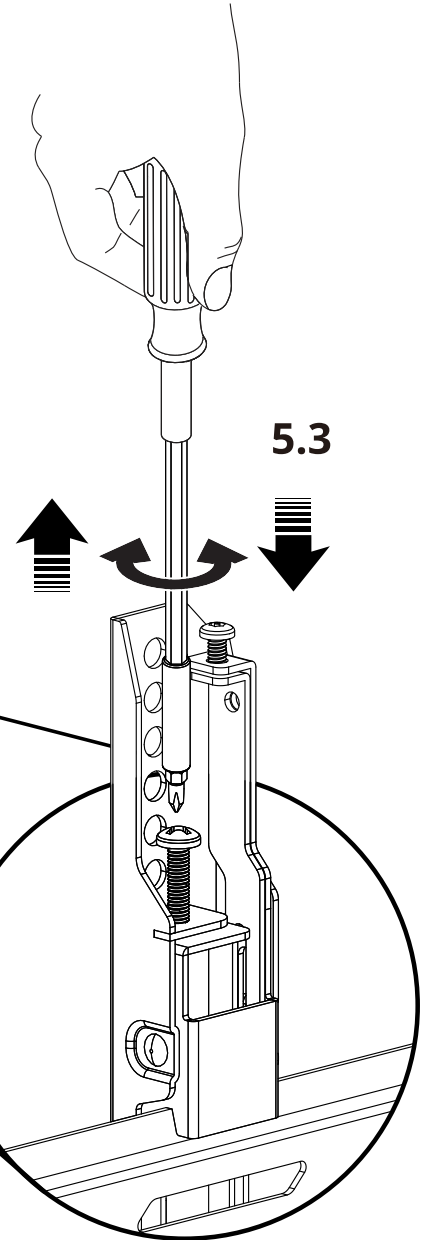
5.1



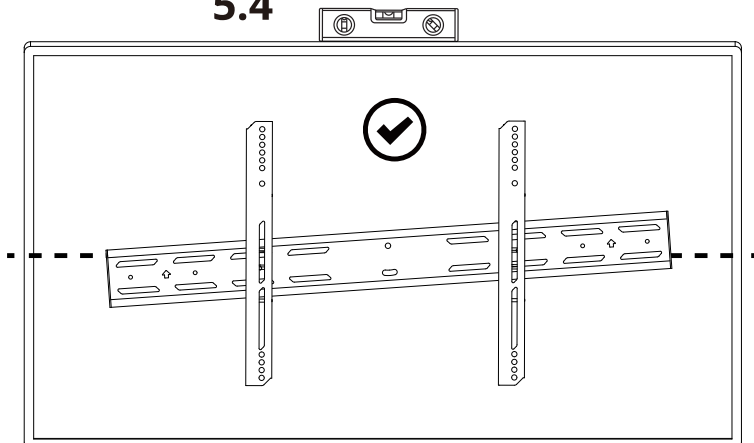
5.2



5.3

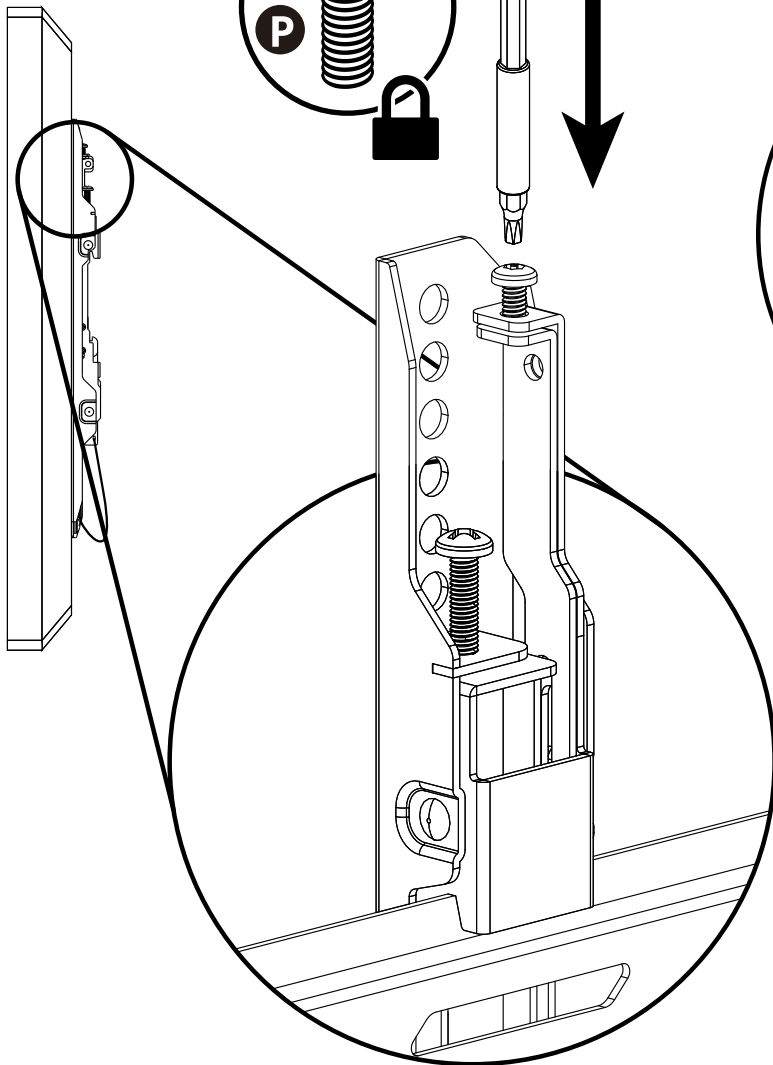
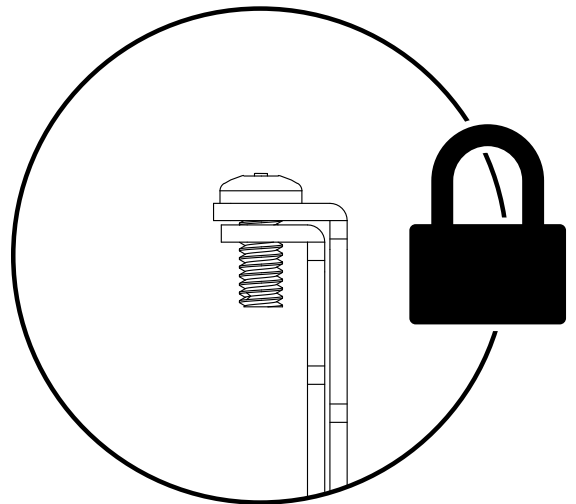
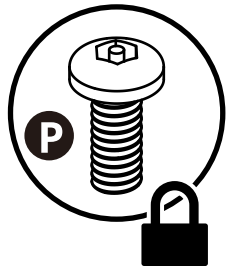
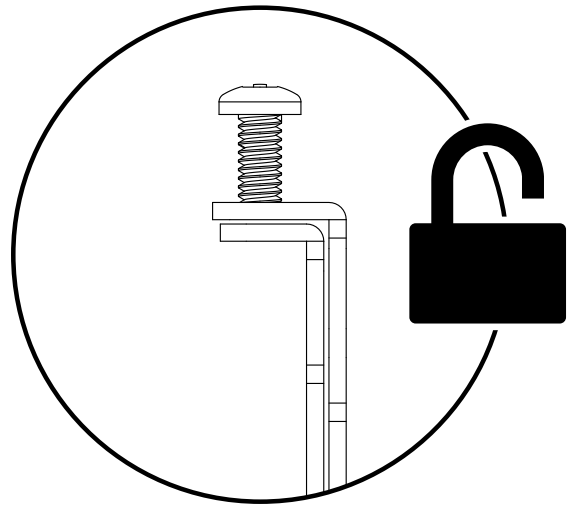
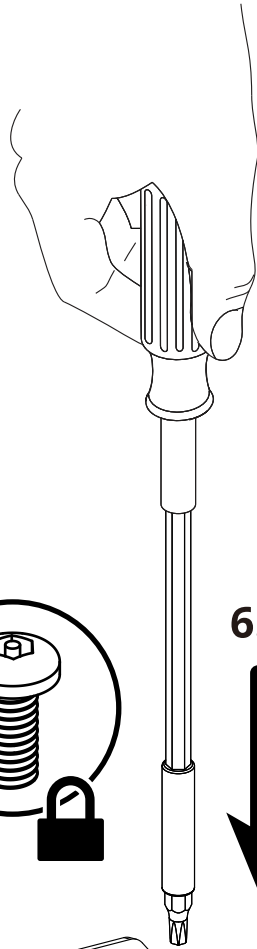
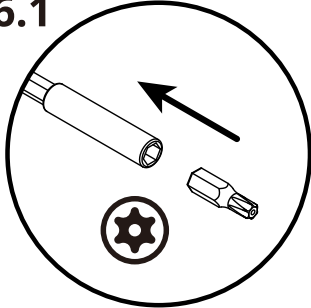


5.4

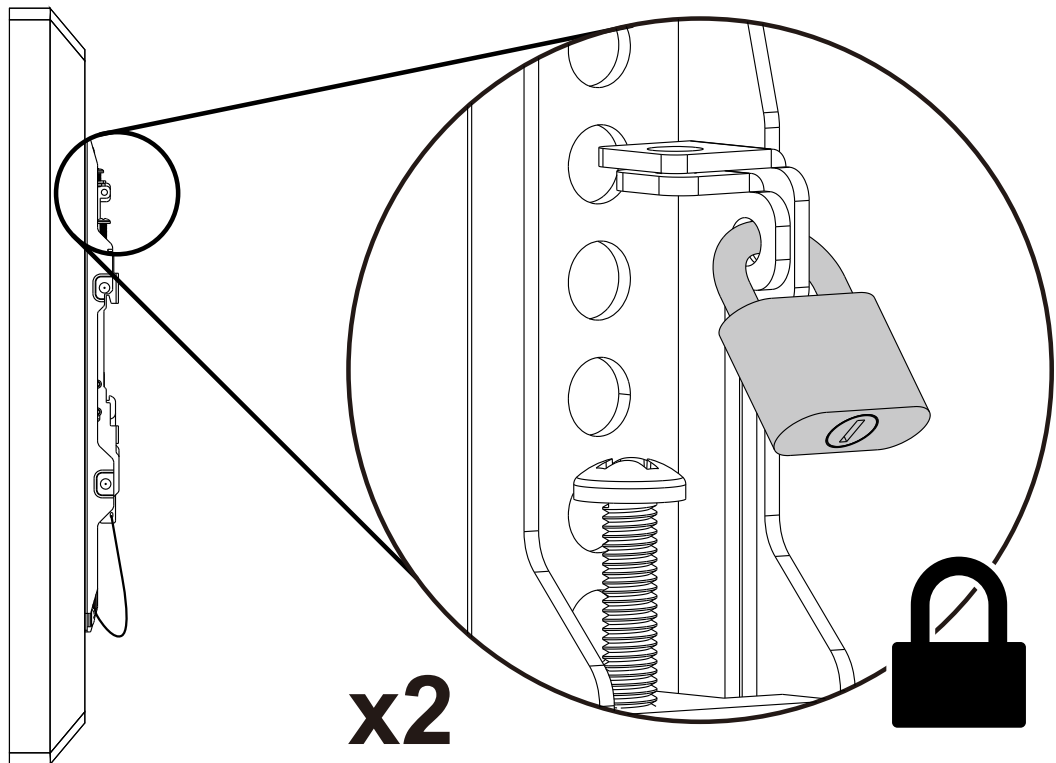


6a. Secure TV(Optional)

6.1

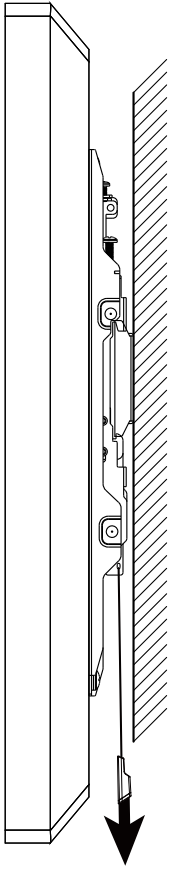


6b. Secure TV(Optional)

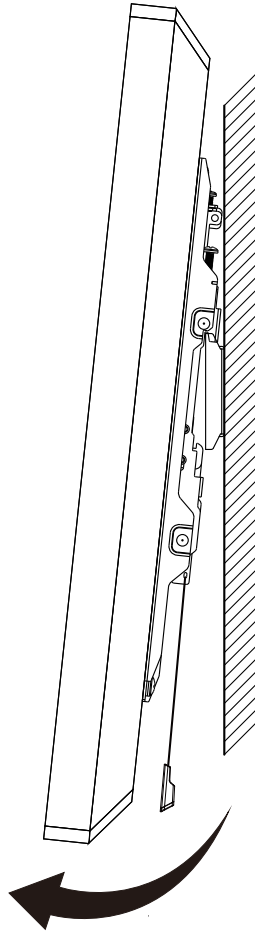


7.Remove TV

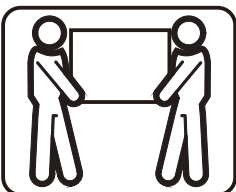
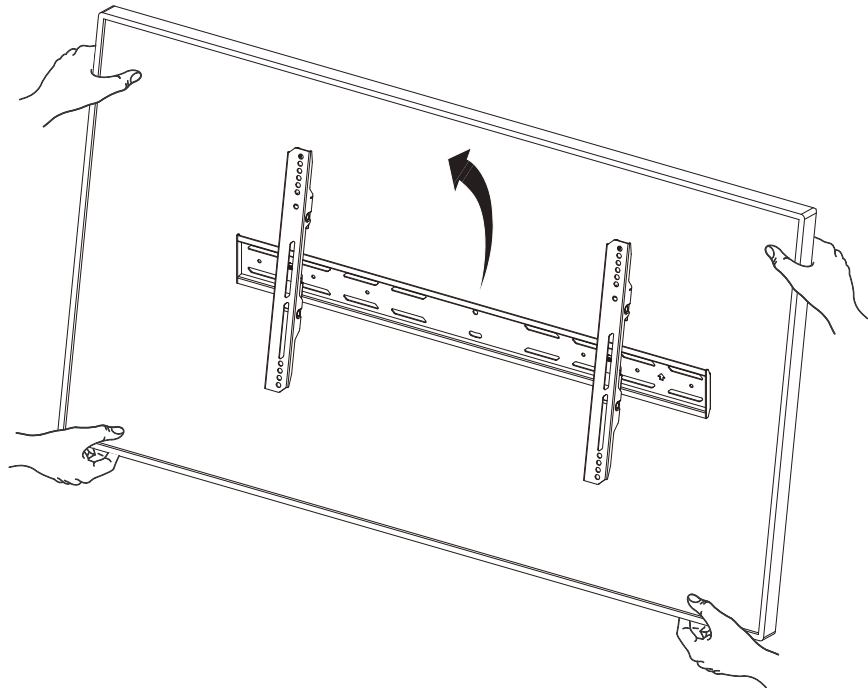
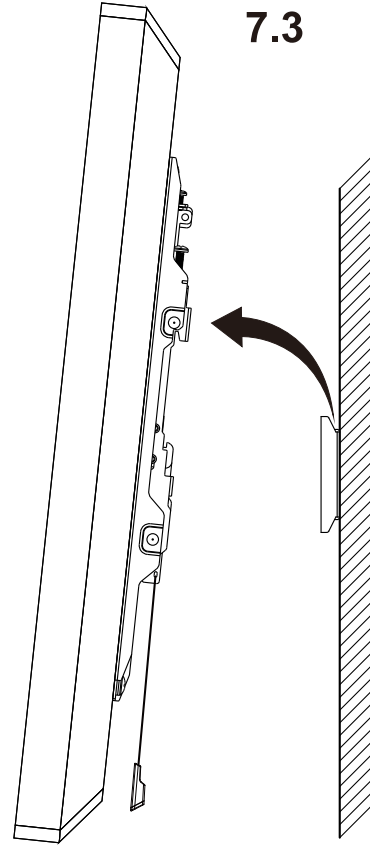
7.1



7.2



7.3



- * This product contains small items that could be a choking hazard if swallowed. Keep these items away from young children.
- * Please ensure you read and understand these instructions thoroughly before attempting installation.
- * The wall or mounting surface must be capable of supporting the combined weight of the mount and display, otherwise must be reinforced.
- * Safety equipment and the recommended tools must be used for the installation. A minimum of 2 people are also required and failure to adhere to these recommendations can result in damage to property or serious injury.
- * Please check joint fastenings every few months and ensure the fixings are still securely fastened.

WARNING!

This product has been designed to be installed on wood stud or solid concrete walls only. Before installation make sure the wall will support the combined load of the equipment and hardware. Never exceed the maximum load capacity of the bracket or this could result in product failure and damage to property or serious injury.

NOTE!

This product is intended for indoor use only, outdoor use could result in product failure and serious injury."