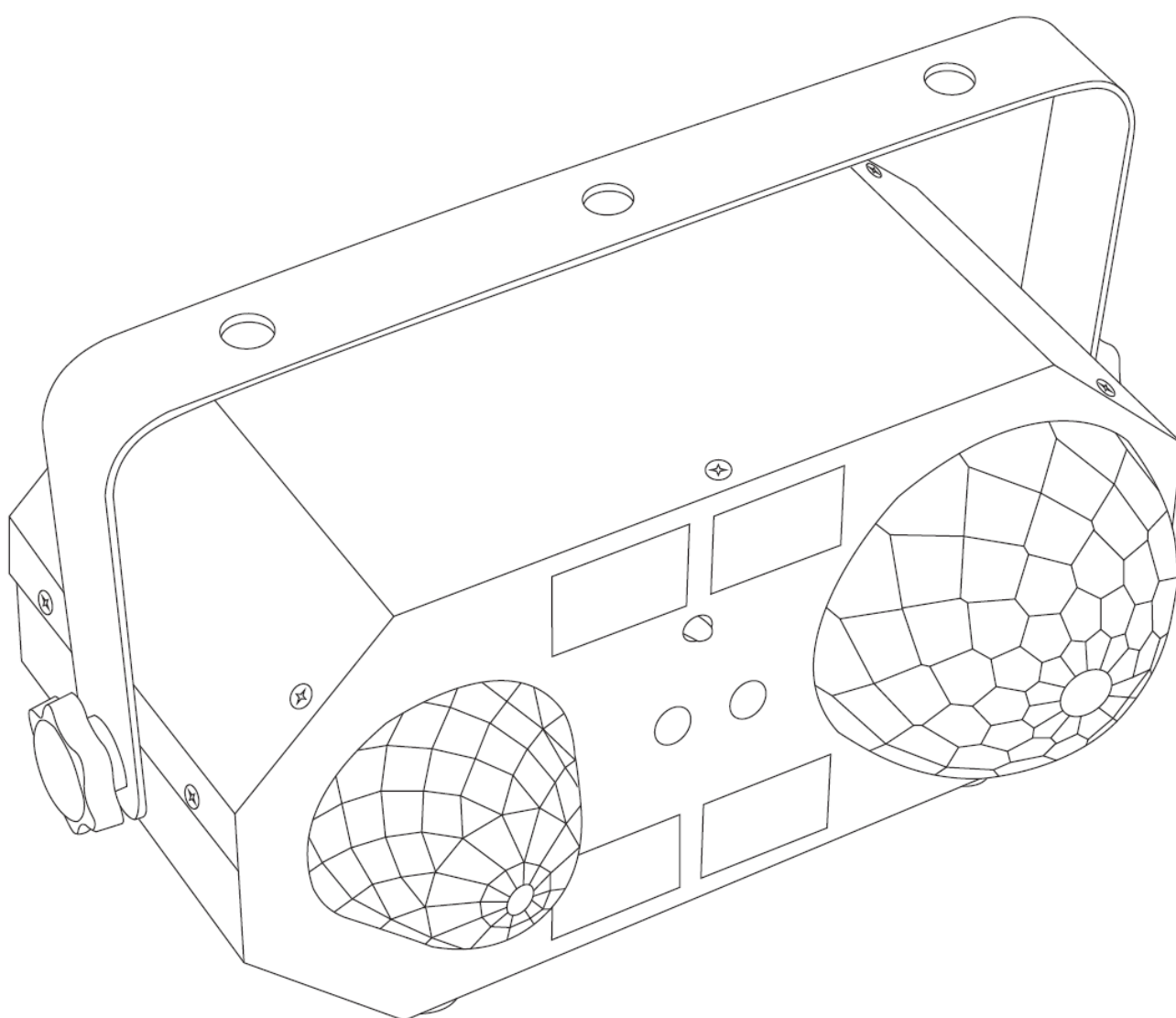


TETRA

4-in-1 LIGHT EFFECT

Item ref: 151.608UK

User Manual



Version 2.0



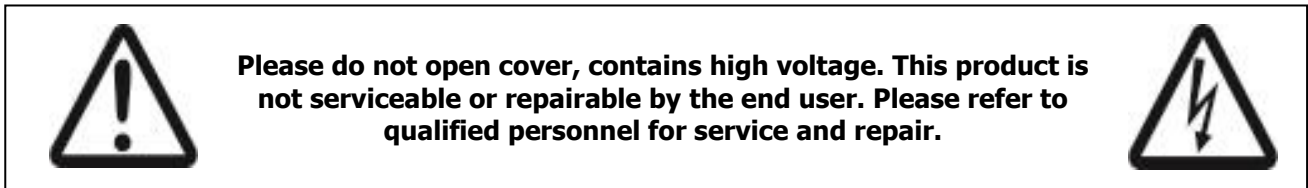
Caution: Please read this manual carefully before operating
Damage caused by misuse is not covered by the warranty

Introduction

Thank you for your purchase of the QTX TETRA light effect. This model can deliver an extra wide array of colourful projections coupled with powerful UV/strobe and laser effects. Please read and keep this user manual to get the best from your purchase and avoid damage through misuse

Warning

To prevent the risk of fire or electric shock, avoid contact with moisture or humid environments. No user serviceable parts inside – Do not open the case – refer all servicing to qualified service personnel.



Caution: Laser radiation

Avoid pointing directly towards eyes. Laser output can cause injury if viewed directly. This product is a Class 3B laser and should only be installed and used by persons who are trained in the management of laser radiation and are able to operate in accordance within the guidance given by the Health and Safety Executive (HSE) in HS(G)95: "The Radiation Safety of Lasers used for Display purposes". Copies of this guide can be downloaded from: www.avsl.com/assets/documents/hsg95.pdf



Safety

Check for correct mains voltage and condition of power lead before connecting to a power outlet.

Placement

- Use the included mounting bracket to fix to a stand or lighting truss
- Use secondary safety fixings if mounting overhead.
- Ensure adequate airflow around the fixture housings
- Ensure adequate access to controls and connections

Cleaning

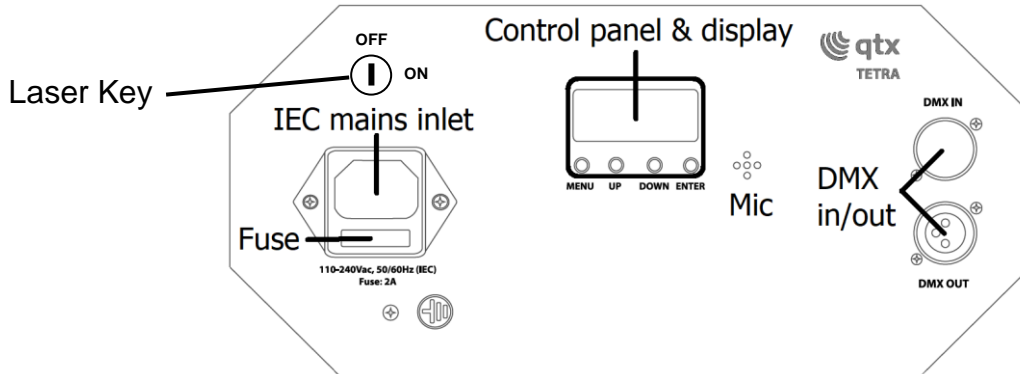
- Use a soft cloth with a neutral detergent to clean the casing as required
- Do not use strong solvents for cleaning the unit

In the box

Please open the package carefully and check that all contents are present and in good condition. Contact your retailer if any part is missing or broken.

- TETRA LED & laser light effect
- I.R. remote control
- Mounting bracket
- Laser keys (x2)
- UK mains plug to IEC lead

Rear panel



Installation

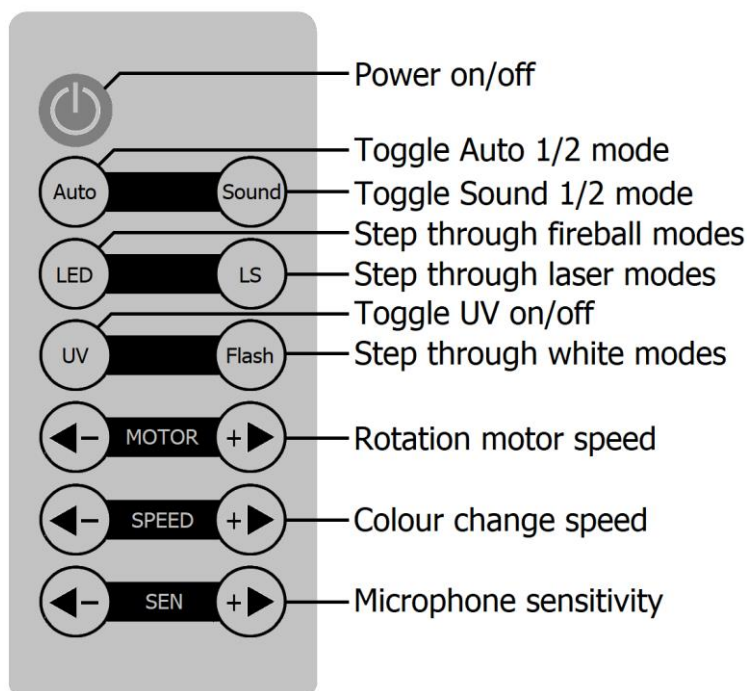
Install the TETRA free standing on a stable surface or suspended from a lighting stand or truss. When mounting to a stand or truss, use the included adjustable fixing bracket and ensure that a safety wire is used if mounting overhead.

If the TETRA is to be operated by DMX control, connect the DMX control signal to the DMX IN connector using an XLR lead and connect further DMX fixtures being controlled from the DMX OUT connector.

Connect mains power to the TETRA using the supplied IEC lead or equivalent, ensuring the supply voltage is correct and capable of the load demand.

Remote control

The TETRA is supplied with an infra-red remote control for quick operation. This is powered by a CR2025 button cell, which should be engaged by pulling out the plastic tab. Point the remote towards the front of the TETRA housing, where the I.R. receiver is located. The remote controls are explained in the diagram below



Onboard Menu

For more detailed setup and operation, the TETRA has an onboard control panel at the rear. Using the MENU, UP, DOWN, ENTER buttons to navigate gives in-depth control of the internal functions. The onboard control menu functions are described in the table below.

Mode	Display	Function	Press Enter	Press Enter
Axxx	ADD 1 - AS 12	DMX start address		
PUxx	PUDn	UV On		
	PUDF	UV Off		
LArxx	LROF	Laser off		
	LRAU	Laser Auto program	SP 1 - SP 9 rotation speed	
	LAr	Red only		
	LAg	Green only		
	LArG	Red + Green combined		
	LAD1 - LA20	Red/Green Auto programs		
LExx	LE 1	Red fireball	SP 1 - SP 9 rotation speed	
	LE 2	Green fireball		
	LE 3	Blue fireball		
	LE 4	Colour change fireball	SD 1 - SD 9 colour speed	SP 1 - SP 9 rotation speed
	LE 5	Strobe fireball	SD 1 - SD 9 strobe speed	SP 1 - SP 9 rotation speed
	LE 6	Auto fireball	SD 1 - SD 9 colour speed	SP 1 - SP 9 rotation speed
FLxx	FLoF	White flood off		
	FL 1	White flood on		
	FL 2 - 9	White strobe fast to slow		
PArx	PA 1	Red water effect	SP 1 - SP 9 rotation speed	
	PA 2	Green water effect		
	PA 3	Blue water effect		
	PA 4	White water effect		
	PA 5	Colour water fx 4 step	SD 1 - SD 9 colour speed	SP 1 - SP 9 rotation speed
	PA 6	Colour water fx 30 step	SD 1 - SD 9 colour speed	SP 1 - SP 9 rotation speed
	PA 7	Strobe water effect	SD 1 - SD 9 strobe speed	SP 1 - SP 9 rotation speed
	PA 8	Colour water 4 & 30 step	SD 1 - SD 9 colour speed	SP 1 - SP 9 rotation speed
AUxx	AU 1	Auto Mode 1		
	AU 2	Auto Mode 2		
S1xx	S1D1 - S120	Sound Mode 1 (last 2 digits are beat step 1-20)		
	uol 1 - uol 9	Mic sensitivity		
S2xx	S2D1 - S220	Sound Mode 2 (last 2 digits are beat step 1-20)		
	uol 1 - uol 9	Mic sensitivity		

Standalone operation

As described in the menu above, the TETRA can be operated in standalone mode by setting the operation of water effect, fireball, UV and white flood/strobe LEDs. Various preset, auto and sound-activated modes can also be accessed using the I.R. remote control.

DMX operation

The TETRA light effect is compatible with standard DMX512 control.

Connect a DMX controller to the TETRA using an XLR DMX lead into the DMX IN connector.

Connect further DMX light fixtures that are being controlled from the DMX OUT connector to the DMX IN of each fixture in a daisy-chain.

Set the DMX start address of the TETRA and all other lighting fixtures in the chain to accommodate all the required channels for each. The TETRA has 11 DMX channels and the table below is described with the DMX start address set to *ADD 1*

DMX Channels

Channel	Value	Function
1	000 - 024	Water wave LED off
	025 - 255	Water wave step through colours
2	000 - 009	White LED off
	010 - 255	White LED on
3	000 - 009	Fireball off
	010 - 044	Fireball Red
	045 - 079	Fireball Green
	080 - 114	Fireball Blue
	115 - 149	Fireball Red + Green
	150 - 184	Fireball Green + Blue
	185 - 219	Fireball Red + Blue
	220 - 255	Fireball Red + Green + Blue
4	000 - 009	Laser off
	010 - 099	Laser Red
	100 - 199	Laser Green
	200 - 255	Laser Red + Green
5	000 - 009	UV off
	010 - 255	UV on
6	000 - 007	All effects on
	008 - 255	Combinations of 1, 2, 3 or 4 effects
7	000 - 009	Strobe off
	010 - 255	Strobe fast to slow
8	000 - 009	Water wave motor off
	010 - 255	Water wave motor fast to slow
9	000 - 009	Fireball motor off
	010 - 255	Fireball motor fast to slow
10	000 - 009	Laser motor off
	010 - 127	Laser motor fast to slow clockwise
	128 - 255	Laser motor slow to fast anticlockwise
11	000 - 050	Manual setting from DMX channels 1-10
	051 - 150	Auto program 1
	151 - 200	Auto program 2
	201 - 250	Sound program 1
	251 - 255	Sound program 2

Specifications

Power supply	110-240Vac, 50/60Hz (IEC)
Power consumption	30W
Fuse rating	2A
LED: power	6 x 3W moonflower, 4W RGBW ripple, 4 x 2W UV/Strobe
Laser power	30mW + 100mW (green + red)
Laser colour	Green (523nm), red (650nm)
Laser class	3B
DMX connection	XLRM in, XLRF out
DMX channels	11
Dimensions	270 x 160 x 110mm
Weight	1.45kg



This product is classed as Electrical or Electronic equipment and should not be disposed with other household or commercial waste at the end of its useful life. The goods must be disposed of according to your local council guidelines

Errors and omissions excepted.

Copyright© 2021 AVSL Group Ltd, Unit 2 Bridgewater Park,
Taylor Road, Trafford Park, Manchester. M41 7JQ.

AVSL (Europe) Ltd, Unit 3D North Point House,
North Point Bus. Park, New Mallow Road, Cork, Ireland.